



Sanitizing station

SANITEK

DAKEN®

SANITEK: FREE STANDING SANITIZING STATION

The perfect solution to secure people and the environment from spreading of germs and infections.
SANITEK is light, easy to install and versatile.

Different configurations and accessories available



// 85400

SANITEK small with sanitizing gel bottle holder



// 85401

SANITEK big with gloves box holder, sanitizing gel bottle holder and waste container



// 85402

SANITEK big with plate for automatic sanitizing gel dispenser and drip tray.



// 85403

SANITEK big with sanitizing gel bottle holder and fire extinguisher hook

*Gloves box, sanitizing gel bottle and automatic sanitizing gel dispenser are not included

SANITEK - 85400



// 85400



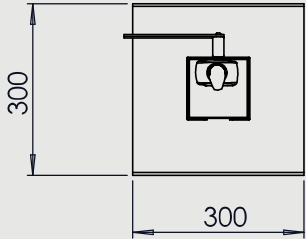
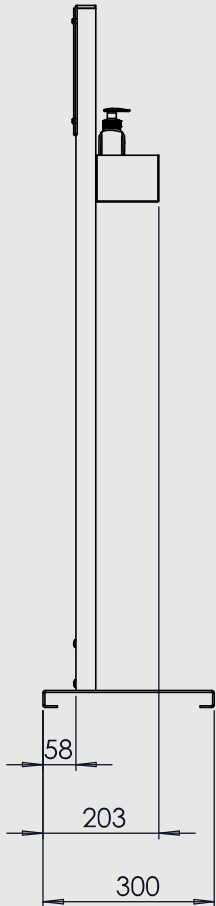
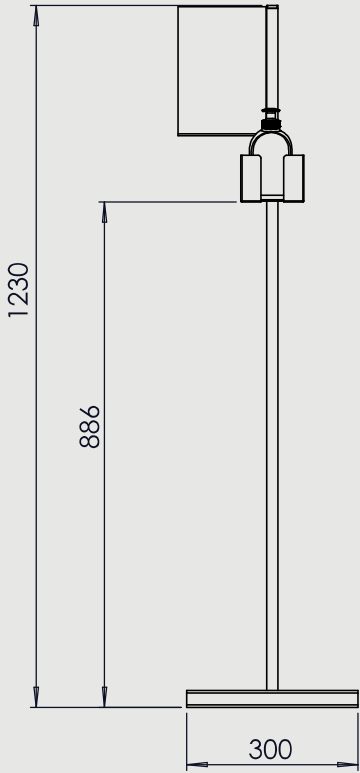
1.
Transparent acrylic display
with A5 information sheet

2.
Black powder coated steel
Sanitizing gel bottle holder
with removable bottom
(L 110 x H 80 x D 110 mm)

3.
Black powder coated
aluminium bar

4.
Black powder
coated steel base

SANITEK - 85400



SANITEK - 85401



1.

Transparent acrylic display with A4 information sheet

2.

Black powder coated steel disposable gloves box holder - ideal for a 100 pc. box (L 125 x A 200 x P 70 mm)

3.

Black powder coated steel sanitizing gel bottle holder with removable bottom (L 110 x H 80 x D 110 mm)

4.

Black powder coated aluminium bar

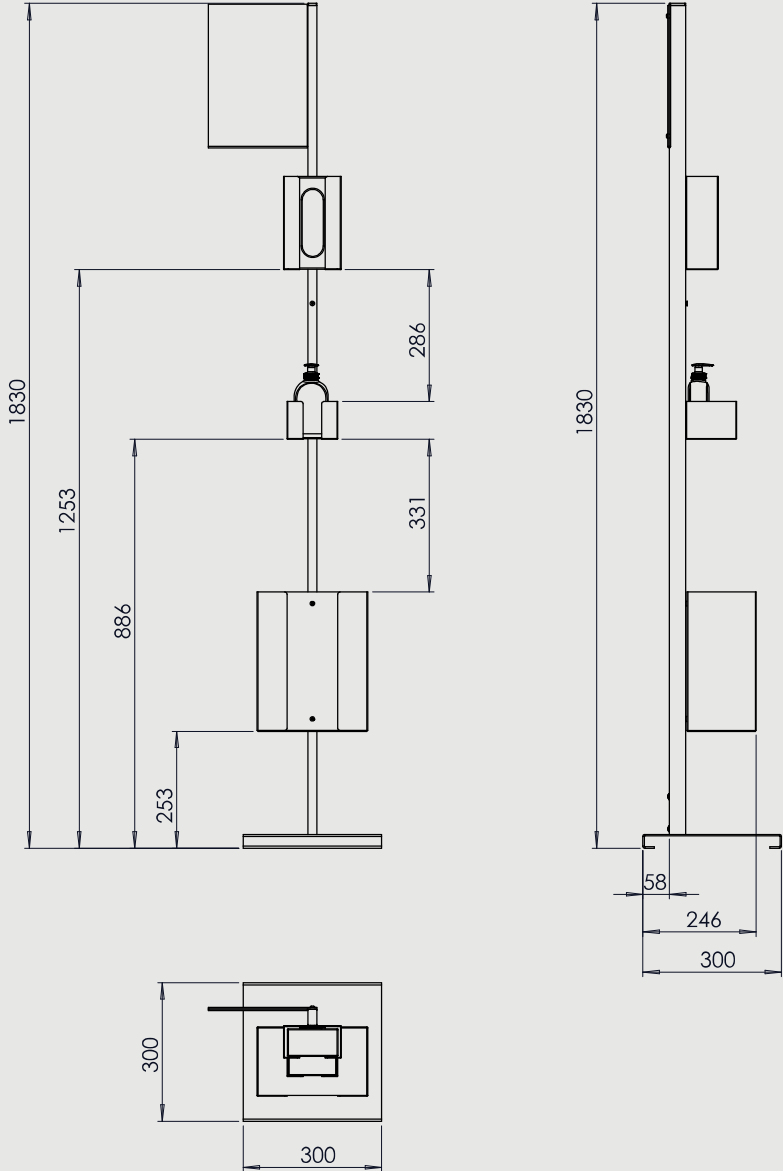
5.

Black powder coated steel waste container

6.

Black powder coated steel base

SANITEK- 85401



SANITEK - 85402



// 85402



*Automatic sanitizing gel dispenser not included

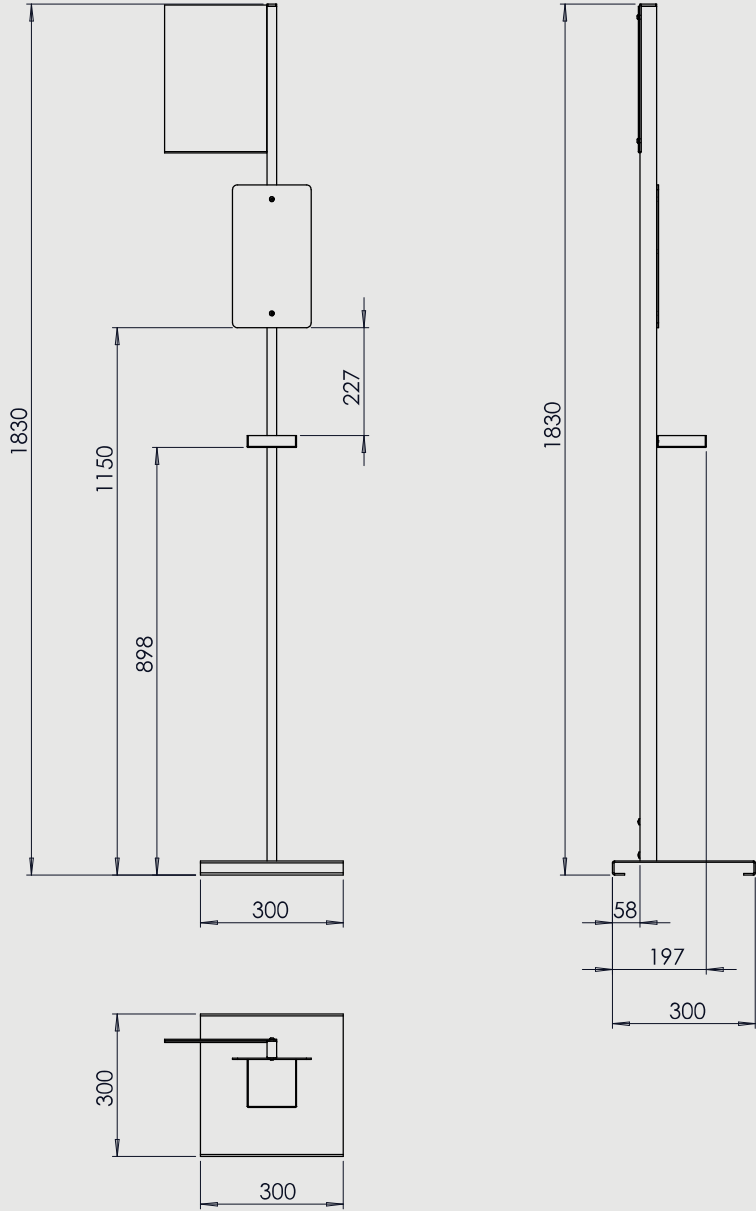
1.
Transparent acrylic display with A5 information sheet

2.
Black powder coated aluminum plate for fixing automatic sanitizing gel dispenser (L 165 x H 300 mm)

3.
Black powder coated steel drip tray on aluminium tube

4.
Black powder coated steel base

SANITEK - 85402



SANITEK- 85403



// 85403



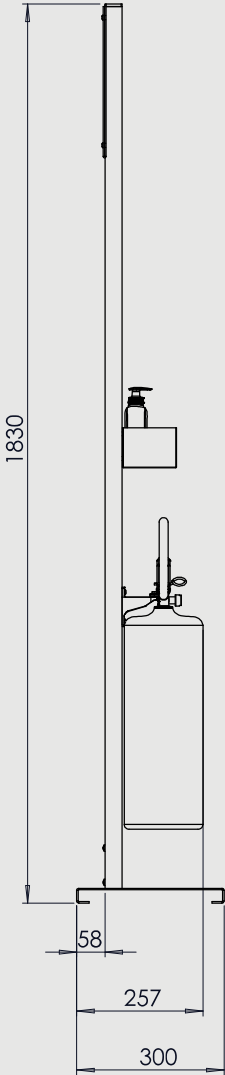
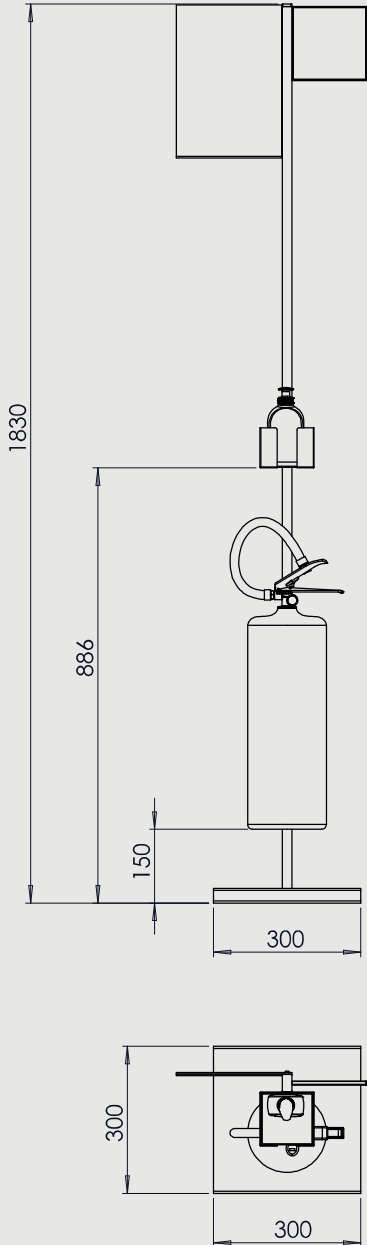
1.
Transparent acrylic display with A4 information sheet

2.
Black powder coated steel Sanitizing gel bottle holder with removable bottom (L 110 x A 80 x P 110 mm)

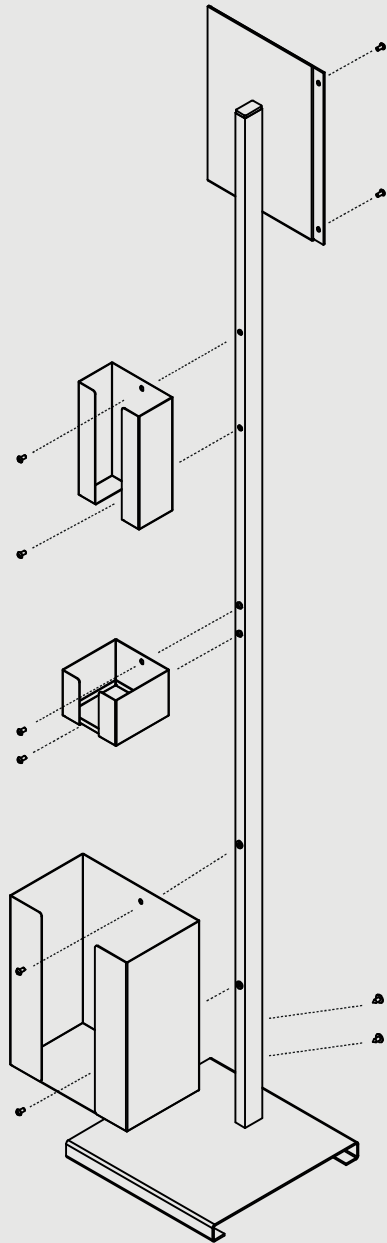
3.
Fire extinguisher hook

4.
Black powder coated steel base

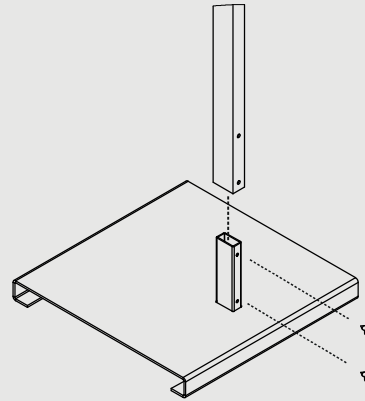
SANITEK - 85403



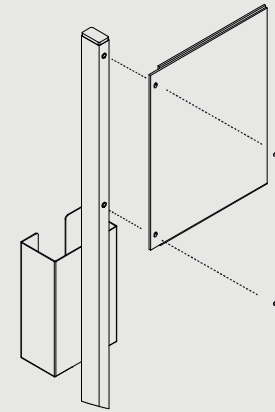
MOUNTING AND LOGISTICS



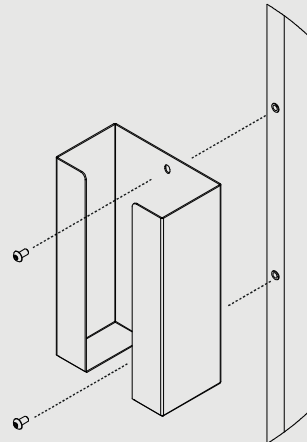
BASE MOUNTING



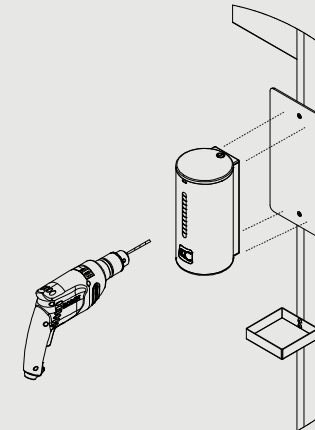
ACRYLIC DISPLAY MOUNTING



ACCESSORIES MOUNTING



AUTOMATIC DISPENSER MOUNTING



Drill the aluminum plate where necessary in order to secure the automatic dispenser on it

LOGISTICS

Products are shipped disassembled.
Each component is shipped in a 6 pieces box (MOQ).

DAKEN[®]

web: www.daken.it | mail: info@daken.it | tel: +39 0835 292811