
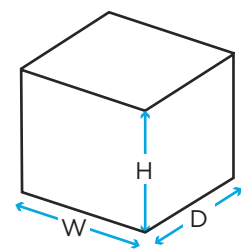


Wheeled Fire Box (95M Series)

Technical Data

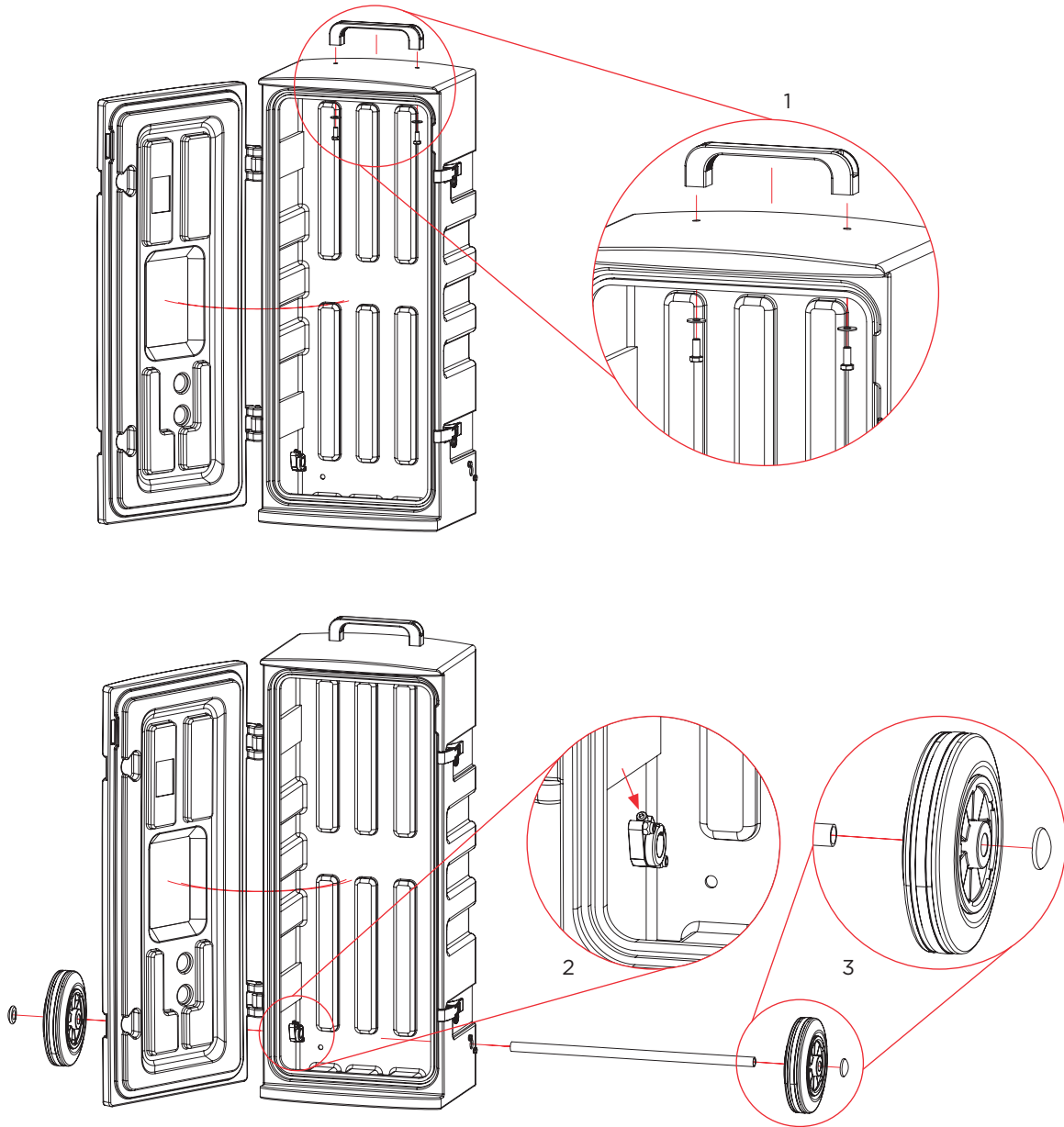


	Colour	H x W x D (mm)	Weight (kg)
JBWE95M		1000 x 540 x 345	9.5



Wheeled Fire Box (95M Series)

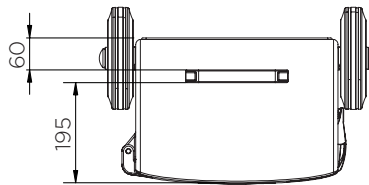
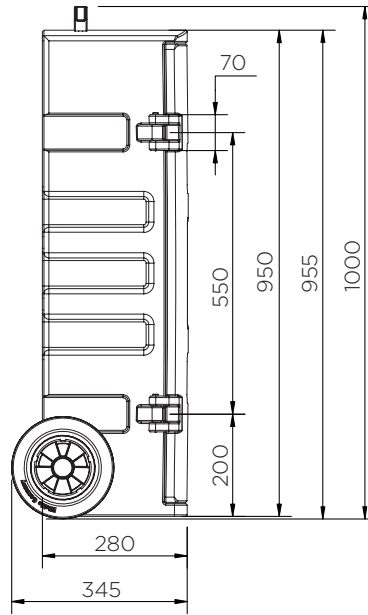
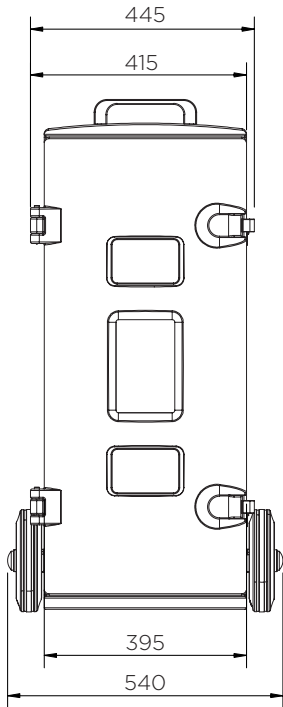
Technical Data



1. Align the handle with the pre-drilled holes and affix using the supplied M8 bolts and washers.
2. Insert the axle through the pre-drilled holes. Once in place secure it by tightening the top bolts on the metal clamps inside.
3. Place a wheel at each end of the axle. Then, using a rubber mallet, hammer the metal caps over the ends of the axle to secure the wheels in place.

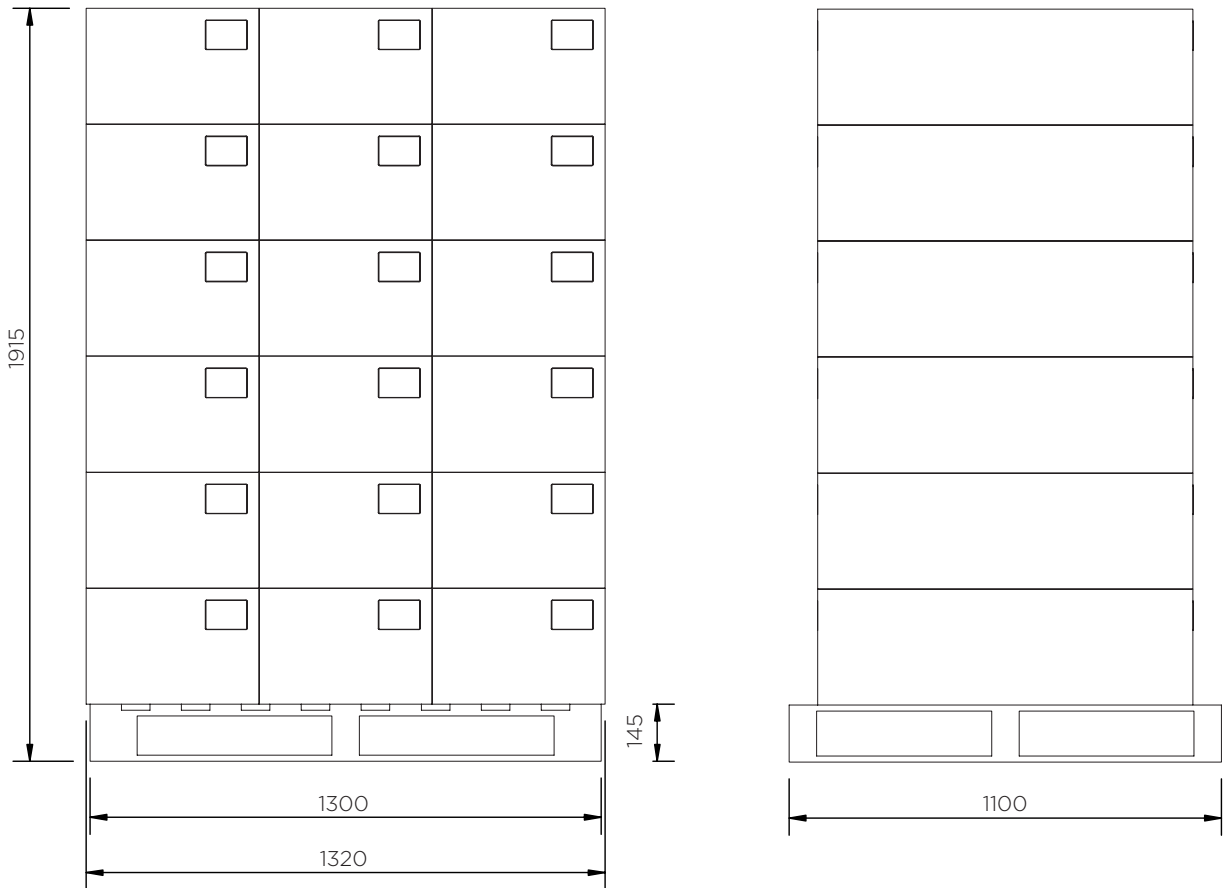
Wheeled Fire Box (95M Series)

Technical Data



Wheeled Fire Box (95M Series)

Technical Data



JBWE95M

Pieces per pallet	18
20' container	144
40' high cube container	324
13.6 m trailer	360

The information is to our best knowledge true and accurate but all recommendations or suggestions are made without guarantee.